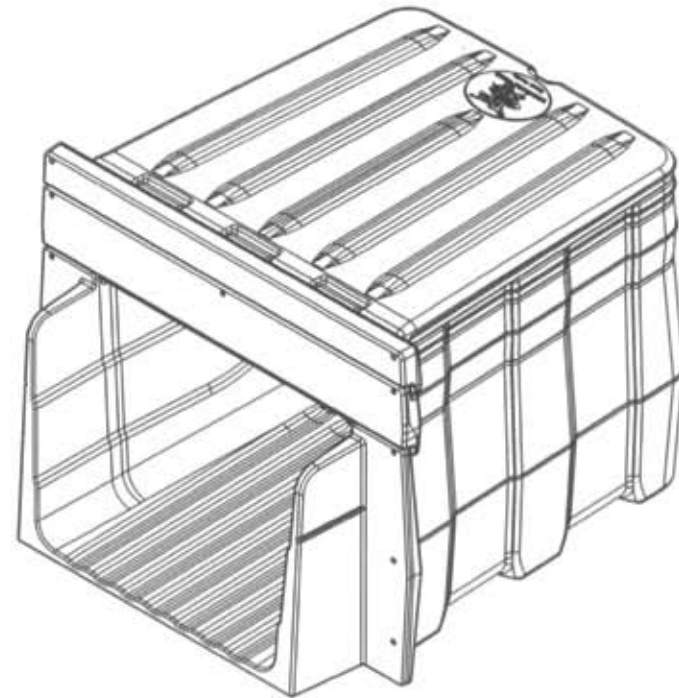
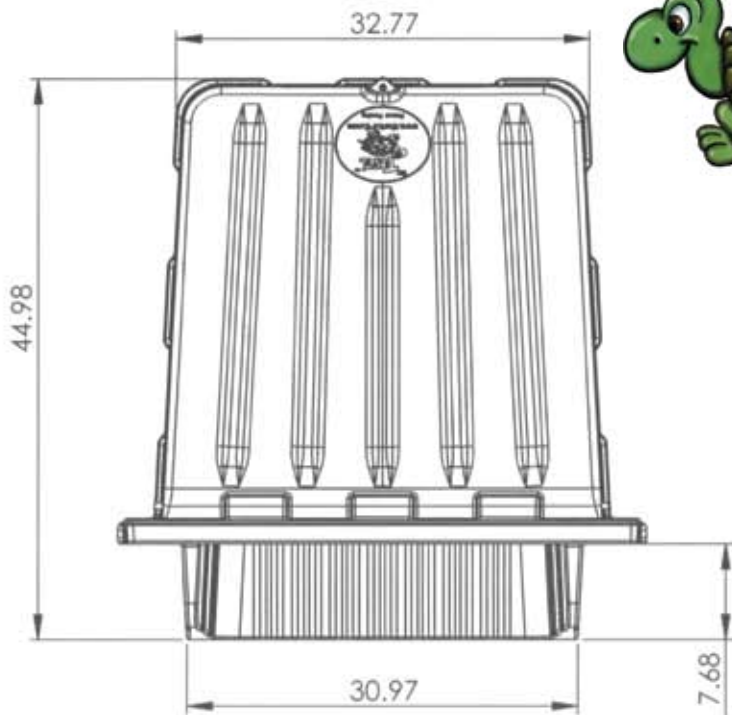
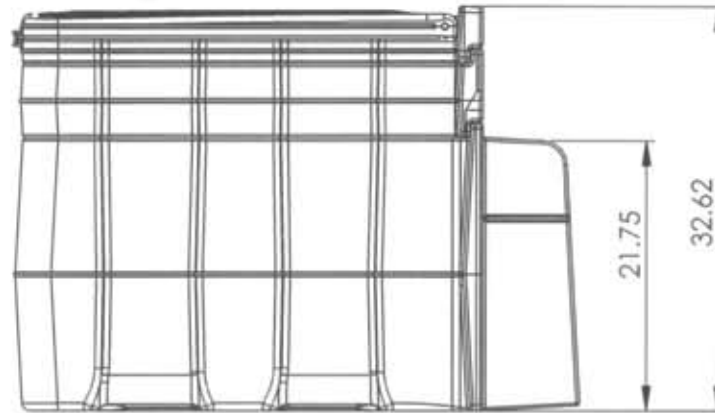
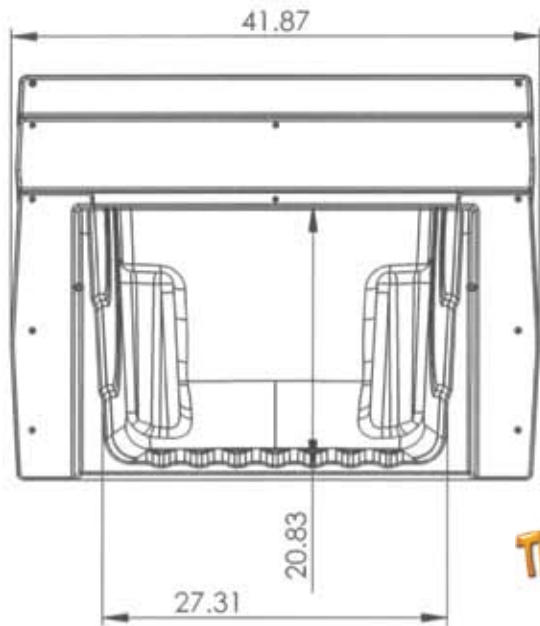


Turtl Specifications



Note: Product illustration shows optional 6" elevation ring. Unit height without elevation ring is 26.62". All other dimensions remain the same.